

NISSAN
FORKLIFT

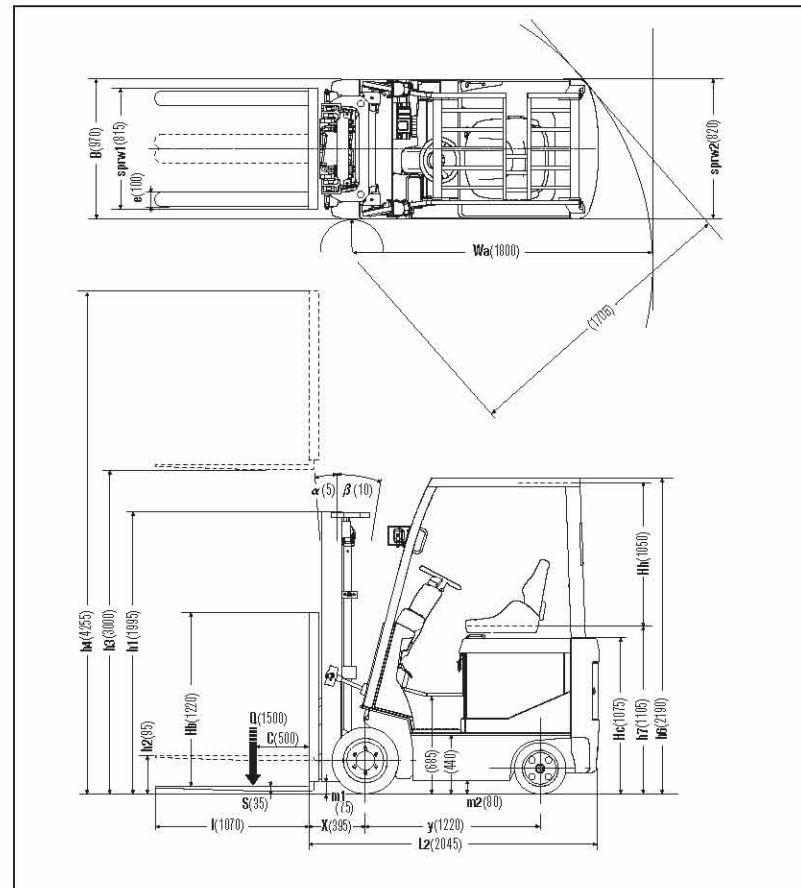
BX Series

Cushion Tire/Electric Powered Models

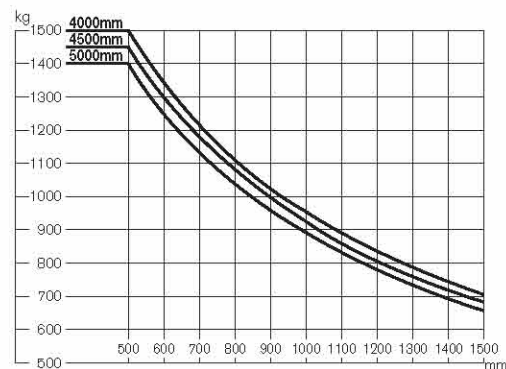
1.5 ton ▶ 3.0 ton
at 500mm Load Center



Dimensions



Load Capacity Chart



No capacity reduction until 4000 mm height. Load capacities are computed with following conditions, a) Standard 2W Mast and b) Mast in vertical position.

Tire and Tread Specifications

Front Tire	single
Front Tire Size	18X6X12-1/8
Overall Width	mm 970
Front Tread	mm 815

Ground Clearance

Under mast	mm 75
Under frame	mm 80

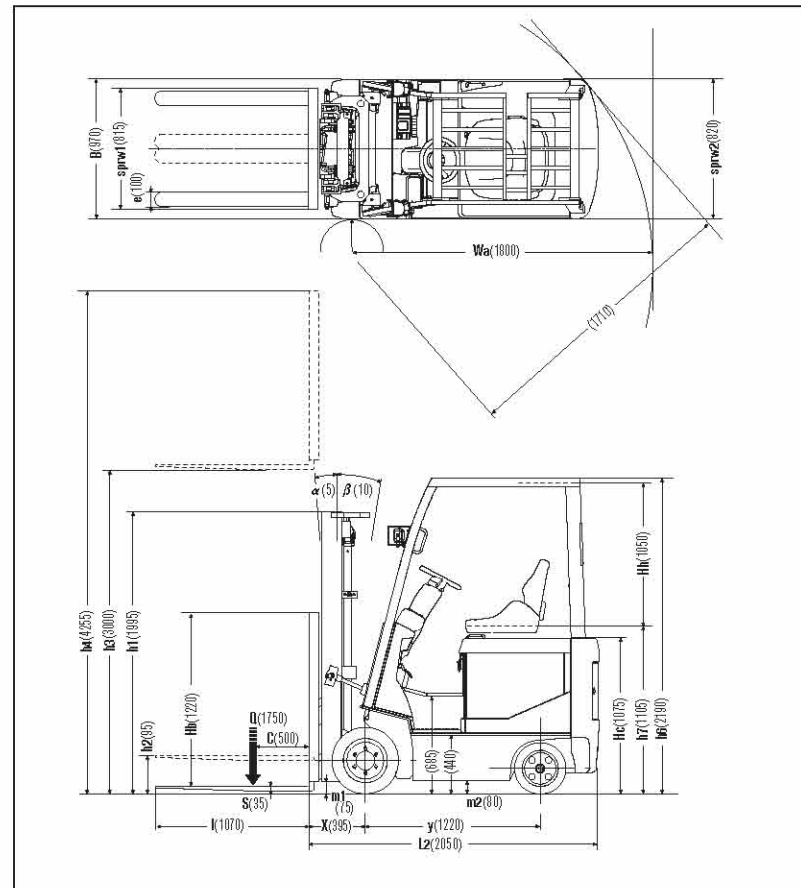
Mast Specifications & Rated Capacities

MCK1B1L15U										
Mast type	Mast name	Max. fork Height mm	Overall height			Free lift		Front overhang mm	Tilt angle deg	Capacity Kg
			Fully lowered mm	Without backrest mm	With STD backrest mm	Without backrest mm	With STD backrest mm			
Two stage (Wide view 2W)	2W270	2700	1805	3310	3955	95	95	395	5/10	1500
	2W300	3000	1955	3610	4255					1500
	2W330	3300	2105	3910	4555					1500
	2W350	3500	2240	4110	4755					1500
	2W370	3700	2365	4310	4955					1500
	2W400	4000	2555	4610	5255					1500
	2W450	4500	2805	5110	5755					1450
2W500	5000	3055	5610	6255	1400					
Two stage (Full free 2F)	2F270	2700	1805	3315	3955	1225	585	390	5/10	1500
	2F300	3000	1955	3615	4255	1375	735			1500
	2F330	3300	2105	3915	4555	1525	885			1500
	2F350	3500	2240	4115	4755	1660	1020			1500
	2F370	3700	2365	4315	4955	1785	1145			1500
	2F400	4000	2555	4615	5255	1995	1355			1500
Three stage (Full free 3F)	3F385	3850	1805	4465	5105	1225	585	390	5/5	1500
	3F430	4300	1955	4915	5555	1375	735			1400
	3F475	4750	2105	5365	6005	1525	885			1300
	3F515	5150	2240	5770	6410	1660	1020			1200
	3F550	5500	2365	6115	6755	1785	1145			1100
	3F600	6000	2555	6615	7255	1975	1335			750

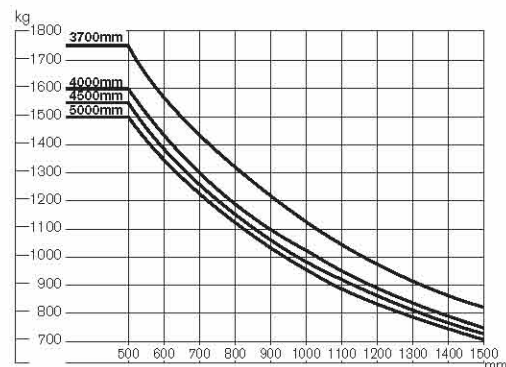
Main Truck Specifications

Item		MCK1B1L15U					
1	Manufacturer	NISSAN			1		
2	Model	MCK1B1L15U			2		
3	Load capacity	Q	Load lifted	kg	1500	3	
4	Load center	C	Distance	mm	500	4	
5	Power unit	Battery, diesel, Gasoline, LP gas			BAT	5	
6	Operator type	Walkie, rider/stand, rider/seat			Rider / seat	6	
7	Tire type	front/rear			CUSH	7	
8	Wheels(X=driven)	Number			2X / 2	8	
9	Maximum fork height	h3	Standard lift height	mm	3000	9	
10	Free lift	h2	Standard free lift	mm	95	10	
13	Fork size	s.e.l			35X100X1070	13	
	Max. Fork Spread				805		
	Min. Fork Spread				205		
14	Tilt range	α / β Mast forward/backward			5 / 10	14	
15		L2	Length to fork face	mm	2045	15	
16		B	Overall width	mm	970	16	
17	Overall measurement	h1	Height mast retracted	mm	1955	17	
18		h4	Height mast extended	mm	4255	18	
19		h6	Height overhead guard	mm	2190	19	
20		h7	Height of driver's seat	mm	1105	20	
21	Turning radius (outside)	Wa			1800	21	
22	Load distance	X	From center of front axle	mm	395	22	
23	Right angle stacking aisle	Ast pallets (LXW) 1200X800/1000X1200			3595 / 3395	23	
24	Travelling	full load	km/h	14.5	24		
		no load	km/h	17.0	24		
	Lifting	full load	mm/s	435	25		
		no load	mm/s	640	25		
	Lowering	full load	mm/s	500	26		
		no load	mm/s	495	26		
28	Max. drawbar pull	full/no load	N	12045	28		
29	Gradeability at 2km/h	full/no load	%	24	29		
30	Max. gradeability	full/no load	%	-	30		
32	Truck weight	no load	kg	2940	32		
33	Weight distribution	full load	front/rear	kg	3825 / 615	33	
		no load	front/rear	kg	1225 / 1715	34	
35		Number.	front/rear	each	2 / 2	35	
36	Tires	Size-front			18X6X12-1/8	36	
37		Size-rear			14X5X10	37	
38	Wheelbase	y			1220	38	
39	Tread	sprw 1/sprw 2	front/rear		815 / 820	39	
	Backrest height	Hb	top of backrest - upper of fork face		1220		
	Overhead guard clearance	Hh			1050		
	Counter weight height	Hc			1075		
40	Ground clearance	m1	Full load minimum	mast	mm	75	40
41		m2	Full load center of wheelbase		mm	80	41
42	Service brake	Mechanical/hydraulic/electric/pneu			Hyd. / Elec	42	
43	Parking brake	Foot/hand/seat switch			Foot	43	
45	Battery	Voltage/Capacity		min	V/AH	48 / 450	45
				max	V/AH	48 / 600	
		weight(STD capacity type)		min-max	kg	835-1150	46
47		drive			KW	9	47
48	Electric motors	Load handling			KW	11	48
		Power steering			KW	-	
54	Control type	drive				MOS-INV	54
		Load handling				MOS-INV	
		Power steering				-	
57	Operating pressure	for attachment		MPa	12.7	57	

Dimensions



Load Capacity Chart



No capacity reduction until 3700 mm height. Load capacities are computed with following conditions, a) Standard 2W Mast and b) Mast in vertical position.

Tire and Tread Specifications

Front Tire	single
Front Tire Size	18X6X12-1/8
Overall Width	mm 970
Front Tread	mm 815

Ground Clearance

Under mast	mm 75
Under frame	mm 80

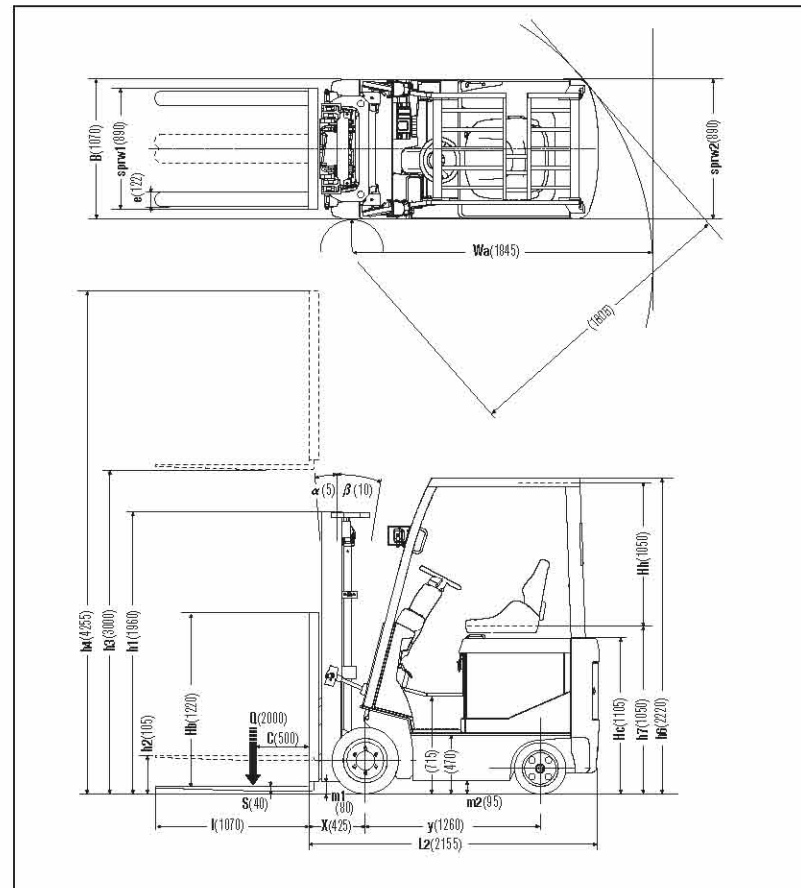
Mast Specifications & Rated Capacities

MCK1B1L18U										
Mast type	Mast name	Max. fork Height mm	Overall height			Free lift		Front overhang mm	Tilt angle deg	Capacity Kg
			Fully lowered mm	Without backrest mm	With STD backrest mm	Without backrest mm	With STD backrest mm			
Two stage (Wide view 2W)	2W270	2700	1805	3310	3955	95	95	395	5/10	1750
	2W300	3000	1955	3610	4255					1750
	2W330	3300	2105	3910	4555					1750
	2W350	3500	2240	4110	4755					1750
	2W370	3700	2365	4310	4955					1750
	2W400	4000	2555	4610	5255					1600
	2W450	4500	2805	5110	5755					1550
Two stage (Full free 2F)	2F270	2700	1805	3315	3955	1225	585	390	5/10	1750
	2F300	3000	1955	3615	4255	1375	735			1750
	2F330	3300	2105	3915	4555	1525	885			1750
	2F350	3500	2240	4115	4755	1660	1020			1750
	2F370	3700	2365	4315	4955	1785	1145			1750
	2F400	4000	2555	4615	5255	1995	1355			1600
	2F450	4500	2805	5115	5755	2205	1565			1500
Three stage (Full free 3F)	3F385	3850	1805	4465	5105	1225	585	390	5/5	1600
	3F430	4300	1955	4915	5555	1375	735			1500
	3F475	4750	2105	5365	6005	1525	885			1400
	3F515	5150	2240	5770	6410	1660	1020			1300
	3F550	5500	2365	6115	6755	1785	1145			1200
	3F600	6000	2555	6615	7255	1975	1335			800

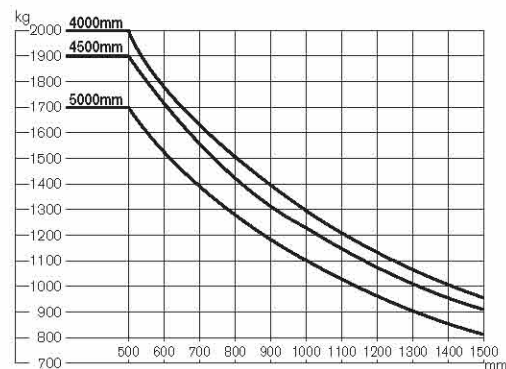
Main Truck Specifications

Item		MCK1B1L18U						
SPECIFICATIONS	1	Manufacturer	NISSAN		1			
	2	Model	MCK1B1L18U		2			
	3	Load capacity	Q	Load lifted	kg	1750	3	
	4	Load center	C	Distance	mm	500	4	
	5	Power unit	Battery, diesel, Gasoline, LP gas			BAT	5	
	6	Operator type	Walkie, rider/stand, rider/seat			Rider / seat	6	
	7	Tire type				front/rear	CUSH	7
	8	Wheels(X=driven)	Number			front/rear	2X / 2	8
DIMENSIONS	9	Maximum fork height	h3	Standard lift height	mm	3000	9	
	10	Free lift	h2	Standard free lift	mm	95	10	
	13	Fork size	s.e.l		mm	35X100X1070	13	
		Max. Fork Spread			mm	805		
		Min. Fork Spread			mm	205		
	14	Tilt range	α / β Mast forward/backward		deg	5 / 10	14	
	15	Overall measurement	L2	Length to fork face	mm	2050	15	
	16		B	Overall width	mm	970	16	
	17		h1	Height mast retracted	mm	1955	17	
	18		h4	Height mast extended	mm	4255	18	
	19		h6	Height overhead guard	mm	2190	19	
	20		h7	Height of driver's seat	mm	1105	20	
	21		Turning radius (outside)	Wa		mm	1800	21
22	Load distance	X	From center of front axle	mm	395	22		
23	Right angle stacking aisle	Ast pallets (LXW)		mm	1200X800/1000X1200	3595 / 3395	23	
PERFORMANCE	24	Travelling	full load	km/h	14.5	24		
			no load	km/h	16.5			
	25	Lifting	full load	mm/s	390	25		
			no load	mm/s	640			
	26	Lowering	full load	mm/s	500	26		
			no load	mm/s	495			
28	Max. drawbar pull	full/no load	N	12045	28			
29	Gradeability at 2km/h	full/no load	%	21.5	29			
30	Max. gradeability	full/no load	%	-	30			
WEIGHTS	32	Truck weight	no load	kg	3115	32		
	33	Weight distribution	full load	front/rear	kg	4210 / 655	33	
			no load	front/rear	kg	1180 / 1935	34	
	35		Number.	front/rear	each	2 / 2	35	
CHASSIS & WHEELS	36	Tires	Size-front	18X6X12-1/8		36		
			Size-rear	14X5X10		37		
			Wheelbase	y	mm	1220	38	
39	Tread	sprw 1/sprw 2	front/rear	mm	815 / 820	39		
	Backrest height	Hb	top of backrest - upper of fork face	mm	1220			
	Overhead guard clearance	Hh		mm	1050			
	Counter weight height	Hc		mm	1075			
DRIVE LINE	40	Ground clearance	m1	Full load minimum	mast	mm	75	40
			m2	Full load center of wheelbase		mm	80	41
42	Service brake	Mechanical/hydraulic/electric/pneu				Hyd. / Elec	42	
43	Parking brake	Foot/hand/seat switch				Foot	43	
DRIVE LINE	45	Battery	Voltage/Capacity	min	V/AH	48 / 450	45	
			(5 hour)	max	V/AH	48 / 600		
	46		weight(STD capacity type)	min-max	kg	835-975	46	
	47	drive			KW	9	47	
48	Electric motors	Load handling		KW	11	48		
		Power steering		KW	-			
54	Control type	drive				MOS-INV	54	
		Load handling				MOS-INV		
		Power steering				-		
57	Operating pressure	for attachment		MPa	12.7	57		

Dimensions



Load Capacity Chart



No capacity reduction until 4000 mm height. Load capacities are computed with following conditions, a) Standard 2W Mast and b) Mast in vertical position.

Tire and Tread Specifications

Front Tire	single
Front Tire Size	21 X 7 X 15
Overall Width	mm 1070
Front Tread	mm 890

Ground Clearance

Under mast	mm	80
Under frame	mm	95

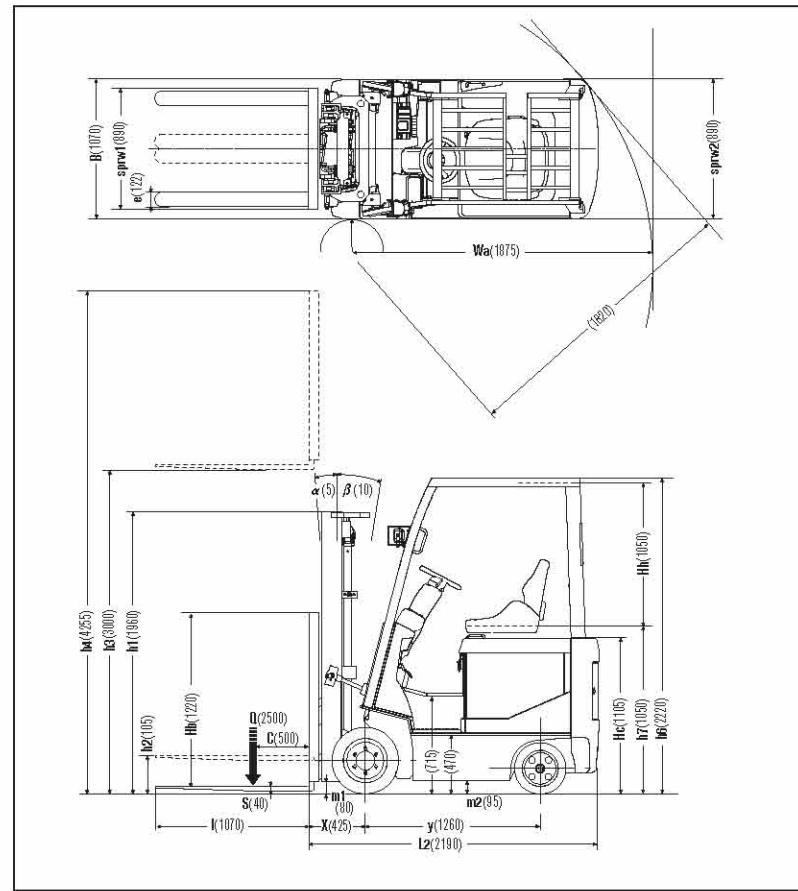
Mast Specifications & Rated Capacities

MCP1B2L20U										
Mast type	Mast name	Max. fork Height mm	Overall height			Free lift		Front overhang mm	Tilt angle deg	Capacity Kg
			Fully lowered mm	Fully extended mm		Without backrest mm	With STD backrest mm			
				Without backrest mm	With STD backrest mm					
Two stage (Wide view 2W)	2W270	2700	1810	3305	3955	105	105	425	5/10	2000
	2W300	3000	1960	3605	4255					2000
	2W330	3300	2110	3905	4555					2000
	2W350	3500	2245	4105	4755					2000
	2W370	3700	2370	4305	4955					2000
	2W400	4000	2560	4605	5255					2000
	2W450	4500	2810	5105	5755					1900
2W500	5000	3060	5605	6255	1700					
Two stage (Full free 2F)	2F270	2700	1810	3320	3955	1230	595	425	5/10	2000
	2F300	3000	1960	3620	4255	1380	745			2000
	2F330	3300	2110	3920	4555	1530	895			2000
	2F350	3500	2245	4120	4755	1665	1030			2000
	2F370	3700	2370	4320	4955	1790	1155			2000
	2F400	4000	2560	4620	5255	1980	1345			2000
Three stage (Full free 3F)	3F385	3850	1810	4470	5105	1230	595	405	5/5	2000
	3F430	4300	1960	4920	5555	1380	745			1950
	3F475	4750	2110	5370	6005	1530	895			1850
	3F515	5150	2245	5775	6410	1665	1030			1650
	3F550	5500	2370	6120	6755	1790	1155			1400
	3F600	6000	2560	6620	7255	1980	1345			900

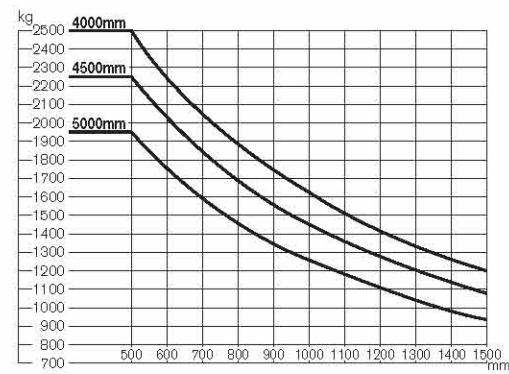
Main Truck Specifications

Item		MCP1B2L20U					
SPECIFICATIONS	1	Manufacturer	NISSAN		1		
	2	Model	MCP1B2L20U		2		
	3	Load capacity	Q Load lifted	kg	2000	3	
	4	Load center	C Distance	mm	500	4	
	5	Power unit	Battery, diesel, Gasoline, LP gas		BAT	5	
	6	Operator type	Walkie, rider/stand, rider/seat		Rider / seat	6	
	7	Tire type	front/rear		CUSH	7	
	8	Wheels(X=driven)	Number		2X / 2	8	
DIMENSIONS	9	Maximum fork height	h3 Standard lift height	mm	3000	9	
	10	Free lift	h2 Standard free lift	mm	105	10	
	13	Fork size	s.e.l	mm	40 X 122 X 1070	13	
		Max. Fork Spread		mm	900		
		Min. Fork Spread		mm	250		
	14	Tilt range	α / β Mast forward/backward	deg	5/10	14	
	15		L2 Length to fork face	mm	2155	15	
	16		B Overall width	mm	1070	16	
	17	Overall measurement	h1 Height mast retracted	mm	1960	17	
	18		h4 Height mast extended	mm	4255	18	
	19		h6 Height overhead guard	mm	2220	19	
	20		h7 Height of driver's seat	mm	1050	20	
	21	Turning radius (outside)	Wa	mm	1845	21	
22	Load distance	X From center of front axle	mm	425	22		
23	Right angle stacking aisle	Ast pallets (L X W) 1200 X 800 / 1000 X 1200	mm	3670 / 3470	23		
PERFORMANCE	24	Travelling	full load	km/h	16.5	24	
	no load		km/h	17			
	25	Lifting	full load	mm/s	385	25	
	no load		mm/s	605			
	26	Lowering	full load	mm/s	500	26	
	no load		mm/s	495			
28	Max. drawbar pull	full/no load	N	15490	28		
29	Gradeability at 2km/h	full/no load	%	24	29		
30	Max. gradeability	full/no load	%	-	30		
WEIGHTS	32	Truck weight	no load	kg	3655	32	
	33	Weight distribution	full load	front/rear	kg	4925 / 730	
	34		no load	front/rear	kg	1455 / 2200	
	35		Number.	front/rear	each	2 / 2	
CHASSIS & WHEELS	36	Tires	Size-front		21 X 7 X 15	36	
	37		Size-rear		16-1/4 X 6 X 11-1/4	37	
	38	Wheelbase	y	mm	1260	38	
	39	Tread	sprw 1/sprw 2	front/rear	mm	890 / 890	39
		Backrest height	Hb top of backrest - upper of fork face	mm	1220		
		Overhead guard clearance	Hh	mm	1050		
		Counter weight height	Hc	mm	1105		
DRIVE LINE	40	Ground clearance	m1 Full load minimum	mast	mm	80	40
	41		m2 Full load center of wheelbase	mm	95	41	
	42	Service brake	Mechanical/hydraulic/electric/pneu			Hyd / Elec	42
	43	Parking brake	Foot/hand/seat switch			Foot	43
	45	Battery	Voltage/Capacity	min	V/AH	48 / 680	45
	46		(5 hour)	max	V/AH	48 / 800	
			weight(STD capacity type)	min-max	kg	1130-1390	46
	47		drive		KW	12	47
	48	Electric motors	Load handling		KW	13.5	48
			Power steering		KW	-	
54	Control type	drive			MOS-INV	54	
		Load handling				MOS-INV	
		Power steering			-		
57	Operating pressure	for attachment		MPa	12.7	57	

Dimensions



Load Capacity Chart



No capacity reduction until 4000 mm height. Load capacities are computed with following conditions, a) Standard 2W Mast and b) Mast in vertical position.

Tire and Tread Specifications

Front Tire	single
Front Tire Size	21 X 7 X 15
Overall Width	mm 1070
Front Tread	mm 890

Ground Clearance

Under mast	mm	80
Under frame	mm	95

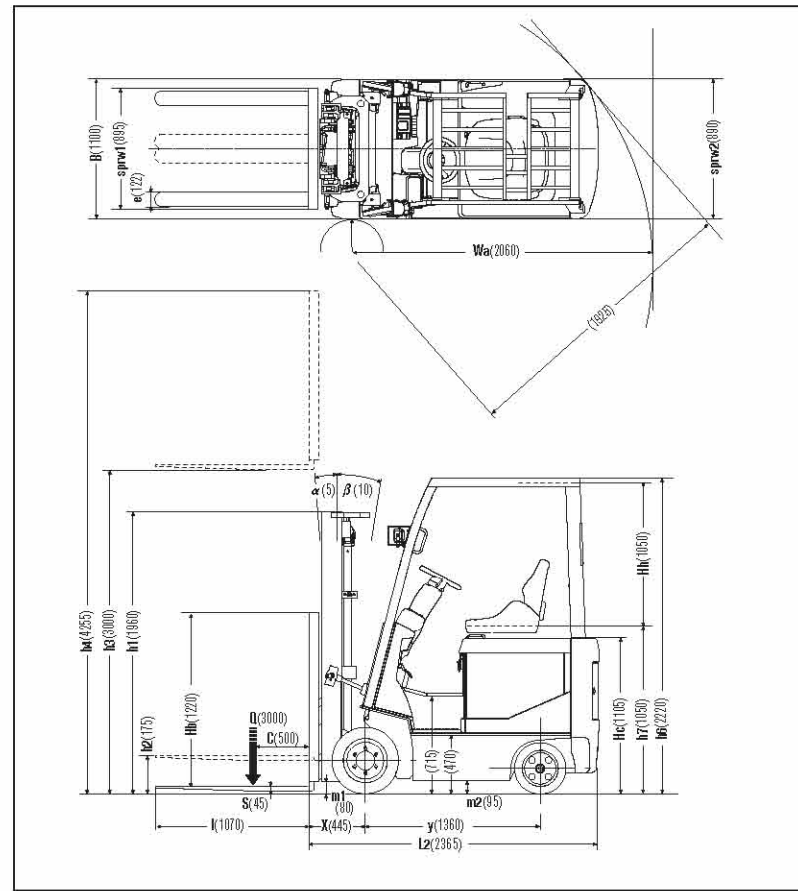
Mast Specifications & Rated Capacities

MCP1B2L25U										
Mast type	Mast name	Max. fork Height mm	Overall height			Free lift		Front overhang mm	Tilt angle deg	Capacity Single tire Load center 500mm Kg
			Fully lowered mm	Fully extended		Without backrest mm	With STD backrest mm			
				Without backrest mm	With STD backrest mm					
Two stage (Wide view 2W)	2W270	2700	1810	3305	3955	105	105	425	5/10	2500
	2W300	3000	1960	3605	4255					2500
	2W330	3300	2110	3905	4555					2500
	2W350	3500	2245	4105	4755					2500
	2W370	3700	2370	4305	4955					2500
	2W400	4000	2560	4605	5255					2500
	2W450	4500	2810	5105	5755					2250
2W500	5000	3060	5605	6255	1950					
Two stage (Full free 2F)	2F270	2700	1810	3320	3955	1230	595	425	5/10	2500
	2F300	3000	1960	3620	4255	1380	745			2500
	2F330	3300	2110	3920	4555	1530	895			2500
	2F350	3500	2245	4120	4755	1665	1030			2500
	2F370	3700	2370	4320	4955	1790	1155			2500
	2F400	4000	2560	4620	5255	1980	1345			2500
Three stage (Full free 3F)	3F385	3850	1810	4470	5105	1230	595	405	5/5	2500
	3F430	4300	1960	4920	5555	1380	745			2400
	3F475	4750	2110	5370	6005	1530	895			2300
	3F515	5150	2245	5775	6410	1665	1030			2100
	3F550	5500	2370	6120	6755	1790	1155			1700
	3F600	6000	2560	6620	7255	1980	1345			1450

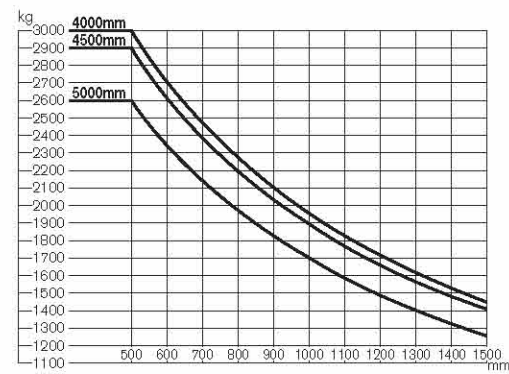
Main Truck Specifications

Item		MCP1B2L25U					
1	Manufacturer	NISSAN			1		
2	Model	MCP1B2L25U			2		
3	Load capacity	Q	Load lifted	kg	2500	3	
4	Load center	C	Distance	mm	500	4	
5	Power unit	Battery, diesel, Gasoline, LP gas			BAT	5	
6	Operator type	Walkie, rider/stand, rider/seat			Rider / seat	6	
7	Tire type				front/rear CUSH	7	
8	Wheels(X=driven)	Number			front/rear 2X / 2	8	
9	Maximum fork height	h3	Standard lift height	mm	3000	9	
10	Free lift	h2	Standard free lift	mm	105	10	
13	Fork size	s.e.l			mm	40X122X1070	13
	Max. Fork Spread				mm	900	
	Min. Fork Spread				mm	250	
14	Tilt range	α / β Mast forward/backward			deg	5 / 10	14
15	Overall measurement	L2	Length to fork face	mm	2190	15	
16		B	Overall width	mm	1070	16	
17		h1	Height mast retracted	mm	1960	17	
18		h4	Height mast extended	mm	4255	18	
19		h6	Height overhead guard	mm	2220	19	
20		h7	Height of driver's seat	mm	1050	20	
21		Turning radius (outside)	Wa		mm	1875	21
22	Load distance	X	From center of front axle	mm	425	22	
23	Right angle stacking aisle	Ast pallets (L X W) 1200 X 800 / 1000 X 1200			mm	3700 / 3500	23
24	Speeds	Travelling	full load	km/h	15	24	
			no load	km/h	17		
		Lifting	full load	mm/s	345		25
			no load	mm/s	605		
		Lowering	full load	mm/s	500		26
			no load	mm/s	495		
28	Max. drawbar pull	full/no load			N	15490	28
29	Gradeability at 2km/h	full/no load			%	20.5	29
30	Max. gradeability	full/no load			%	-	30
32	Truck weight	no load			kg	4045	32
33	Weight distribution	full load	front/rear	kg	5685 / 860	33	
		no load	front/rear	kg	1350/2695		
35	Tires	Number.	front/rear	each	2 / 2	35	
36		Size-front	21 X 7 X 15			36	
37		Size-rear	16-1/4 X 6 X 11-1/4			37	
38	Wheelbase	y	mm			1260	38
39	Tread	sprw 1/sprw 2	front/rear	mm	890 / 890	39	
	Backrest height	Hb	top of backrest - upper of fork face			mm	1220
	Overhead guard clearance	Hh				mm	1050
	Counter weight height	Hc				mm	1105
40	Ground clearance	m1	Full load minimum	mast	mm	80	40
41		m2	Full load center of wheelbase		mm	95	41
42	Service brake	Mechanical/hydraulic/electric/pneu				Hyd / Elec	42
43	Parking brake	Foot/hand/seat switch				Foot	43
45	Battery	Voltage/Capacity		min	V/AH	48 / 680	45
		(5 hour)		max	V/AH	48 / 800	
		weight(STD capacity type)		min-max	kg	1130-1390	
47	Electric motors	drive			KW	12	47
		Load handling			KW	13.5	
		Power steering			KW	-	
54	Control type	drive				MOS-INV	54
		Load handling				MOS-INV	
		Power steering				-	
57	Operating pressure	for attachment			MPa	12.7	57

Dimensions



Load Capacity Chart



No capacity reduction until 4000 mm height. Load capacities are computed with following conditions, a) Standard 2H Mast and b) Mast in vertical position.

Tire and Tread Specifications

Front Tire	single
Front Tire Size	22×8×16
Overall Width	mm 1100
Front Tread	mm 895

Ground Clearance

Under mast	mm 80
Under frame	mm 95

Mast Specifications & Rated Capacities

MCPG1B2L30U										
Mast type	Mast name	Max. fork Height mm	Overall height			Free lift		Front overhang mm	Tilt angle deg	Capacity Single tire Load center 500mm Kg
			Fully lowered mm	Without backrest mm	With STD backrest mm	Without backrest mm	With STD backrest mm			
Two stage (High free 2H)	2H270	2700	1810	3345	3955	175	175	445	5/10	3000
	2H300	3000	1960	3645	4255					3000
	2H330	3300	2110	3945	4555					3000
	2H350	3500	2245	4145	4755					3000
	2H370	3700	2370	4345	4955	265	265			3000
	2H400	4000	2560	4645	5255					3000
	2H450	4500	2810	5145	5755					2900
	2H500	5000	3060	5645	6255					2600
Two stage (Full free 2F)	2F270	2700	1810	3320	3955	1235	600	450	5/10	3000
	2F300	3000	1960	3620	4255	1385	750			3000
	2F330	3300	2110	3920	4555	1535	900			3000
	2F350	3500	2245	4120	4755	1670	1035			3000
	2F370	3700	2370	4320	4955	1795	1160			3000
	2F400	4000	2560	4620	5255	1985	1350			2950
	2F450	4500	2810	5120	5755	2185	1550			2750
Three stage (Full free 3F)	3F385	3850	1960	4435	5105	1420	750	455	5/5	3000
	3F430	4300	2110	4885	5555	1570	900			2750
	3F475	4750	2245	5335	6005	1705	1035			2650
	3F515	5150	2370	5740	6410	1830	1160			2550
	3F550	5500	2560	6085	6755	2020	1350			2200
	3F600	6000	2810	6585	7255	2270	1600			1650

Main Truck Specifications

Item		MCPG1B2L30U	
1	Manufacturer	NISSAN	
2	Model	MCPG1B2L30U	
3	Load capacity	Q Load lifted	kg 3000
4	Load center	C Distance	mm 500
5	Power unit	Battery, diesel, Gasoline, LP gas	
6	Operator type	Walkie, rider/stand, rider/seat	
7	Tire type	front/rear	CUSH
8	Wheels(X=driven)	Number	2X / 2
9	Maximum fork height	h3 Standard lift height	mm 3000
10	Free lift	h2 Standard free lift	mm 175
13	Fork size	s.e.l	mm 45×122×1070
	Max. Fork Spread		mm 1000
	Min. Fork Spread		mm 250
14	Tilt range	α / β Mast forward/backward	deg 5 / 10
15		L2 Length to fork face	mm 2365
16		B Overall width	mm 1100
17	Overall measurement	h1 Height mast retracted	mm 1960
18		h4 Height mast extended	mm 4255
19		h6 Height overhead guard	mm 2220
20		h7 Height of driver's seat	mm 1050
21	Turning radius (outside)	Wa	mm 2060
22	Load distance	X From center of front axle	mm 445
23	Right angle stacking aisle	Ast pallets (L×W) 1200×800/1000×1200	mm 3905 / 3705
24	Travelling	full load	km/h 14
		no load	km/h 15
	Lifting	full load	mm/s 280
		no load	mm/s 515
	Lowering	full load	mm/s 500
		no load	mm/s 495
28	Max. drawbar pull	full/no load	N 17825
29	Gradeability at 2km/h	full/no load	% 20
30	Max. gradeability	full/no load	% -
32	Truck weight	no load	kg 4675
		full load	kg 6690 / 985
		front/rear	kg 1605/3070
34	Weight distribution	no load	kg 1605/3070
		Number.	front/rear each 2 / 2
		Size-front	mm 22×8×16
37	Size-rear	mm 16-1/4×6×11-1/4	
38	Wheelbase	y	mm 1360
39	Tread	sprw 1/sprw 2	front/rear mm 895 / 890
		Hb	top of backrest - upper of fork face mm 1220
		Hh	Overhead guard clearance mm 1050
		Hc	Counter weight height mm 1105
40	Ground clearance	m1 Full load minimum mast	mm 80
		m2 Full load center of wheelbase	mm 95
42	Service brake	Mechanical/hydraulic/electric/pneu	Hyd / Elec
43	Parking brake	Foot/hand/seat switch	Foot
45	Battery	Voltage/Capacity	min V/AH 48 / 850
		(5 hour)	max V/AH 48 / 1000
		weight(STD capacity type)	min-max kg 1520-1600
47	Electric motors	drive	KW 12
		Load handling	KW 13.5
48	Power steering		KW -
			KW -
54	Control type	drive	MOS-INV
		Load handling	MOS-INV
		Power steering	-
57	Operating pressure	for attachment	MPa 12.7